



LSC 360i Lechler Portable Spray Platform

The Lechler Portable Spray Platform is a fully self-contained spray package, designed to enhance the performance of Lechler's precision spray application nozzles.

The Lechler Portable Spray Platform is the perfect showcase for Lechler's new "Plug & Spray" technology. At the center of this modular system is the Lechler Spray Controller; from there, the building capability is endless. This completely self-contained unit, ideally suited to coating applications for food lines, is also an excellent choice for research and development centers.

BENEFITS:

- Fully Portable
- Simplifies Operation Controls
- Proven Technology
- Reduces Installation Time
- Reliable Operation
- High Off-The-Shelf Performance
- Cost-Effective Solution
- Expandable
- Stainless Steel Option Available

Specifications

Hardware

Lechler spray controller
Link cable
Standard 3/4" Valve Package
Spray trolley
Liquid pressure vessel (10 US gal)
I/O connection Box

Materials

Powder Coated /NPB
Stainless Steel

Controller Software (Pre-installed)

9 - Operating Modes
9 - Timing Modes
5 - Languages

Power

110 - 240 V AC
3 A max
50 - 60 hz

Dimensions

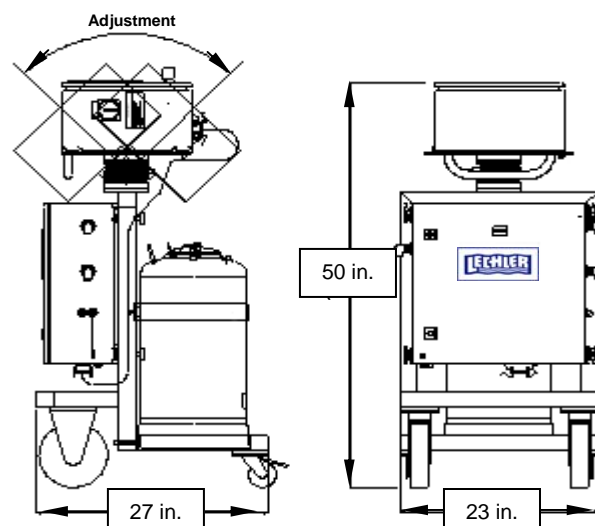
27 x 23 x 50 inches

Weight

185 lbs.

Protection

IP 65



For further details, please consult your local Applications Engineer.

