



ViscoMist™ – 176 Series

Lechler's newly improved ViscoMist™ nozzle series has been specifically designed and engineered to meet the demands of modern industries requiring viscous liquids to be sprayed in a controlled manner.

The ViscoMist™ nozzle features a standard 'Liquid Shut-Off/Clean-Out Needle' function. This design element activates and deactivates the liquid supply, while simultaneously preventing clogging by removing excess fluid from the Fluid Nozzle. This feature is especially vital when viscous liquids are being used in continuous process environments.

The ViscoMist™ offers independent regulation of both atomising air and fan air, providing the user with infinite control over the viscous fluid's spray pattern and droplet size. The ViscoMist nozzle is available in brass-nickel plated or stainless steel, and is engineered to the highest industry standards, making the ViscoMist the obvious choice for the most technical of spraying processes.

Interchangeable air caps and various flow capacities are available to suit any spraying application need; for the highly viscous liquid, electronically heated, custom-made jackets are available to optimize spraying performance.



Typical applications include:

- Coating
- Fluidized Bed Agglomeration
- Moisturizing
- Spray Cooling
- Glazing
- Sanitizing

Specifications:

Material

Brass-Nickel Plated
316 Stainless Steel

Ports

1/8" NPT (F)

Nozzle Body Configurations

- # 2 Body
- # 4 Body
- # 5 Body

Fluid Cap Options

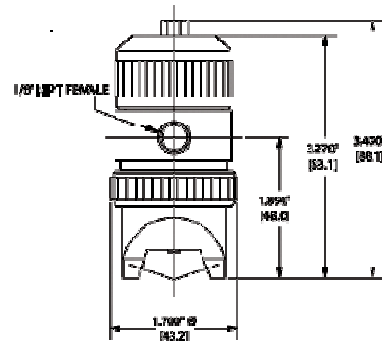
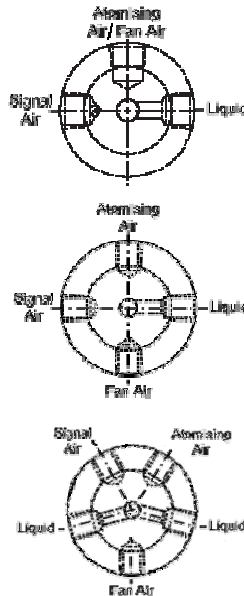
0.015" to 0.100"
(0.38mm to 2.54mm)

Cycles per Minute

180 cycles/min

Valve position

Normally closed
Fail-safe with loss of air



Part Number/Set-up Spray Data for Water

Nozzle Assembly	Orifice Size	Liquid Pressure (psi)			
		5	10	20	40
		Flow rate Gallons per Hour			
176.X01.XX.01.00.0	0.015"	0.8	1.2	1.8	2.6
176.X02.XX.01.00.0	0.0225"	1.8	2.6	3.8	5.4
176.X03.XX.01.00.0	0.031"	3.2	4.7	6.6	8.0
176.X04.XX.01.00.0	0.042"	5.7	8.0	11.5	13.0
176.X05.XX.01.00.0	0.052"	8.6	11.3	15.7	22.0
176.X06.XX.01.00.0	0.067"	16.0	22.6	32.0	39.0
176.X07.XX.01.00.0	0.081"	23.3	31.8	46.2	59.0
176.X08.XX.01.00.0	0.093"	28.2	40.2	57.0	79.0
176.X09.XX.01.00.0	0.100"	33.0	47.0	67.0	81.3