



136 Series AirMist Nozzles

Lechler's AirMist nozzles enhance any spraying process by increasing flexibility and ensuring reliability while maintaining superior control over the spray application. The 136 Series AirMist nozzles are available in a standard manual form, or as the 166H Series, a pneumatic-actuated solenoid valve attachment that allows for the most precise spray application possible.

BENEFITS:

- Proven Design
- Compact Unit
- Reliable Operation
- High Quality Performance

Lechler's 136 Series Nozzle Body can be easily combined with any one of Lechler's interchangeable spray tips, creating endless choices for spray patterns and capabilities. This makes the AirMist 136 Series Nozzle the obvious choice for a variety of applications, including:

- Coating
- Cooling
- Humidification
- Odor Control
- Chemical Processing

Specifications:

Pressure range:

0 – 90 psi

Material:

Brass- Nickel Plated
303 SS
316L SS

Frequency:

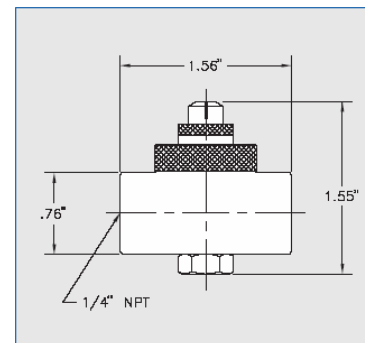
Pneumatic Valve180 cycles / min

Connections:

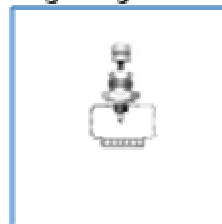
Liquid – ¼" female NPT
Air – ¼" female NPT

Spray Options:

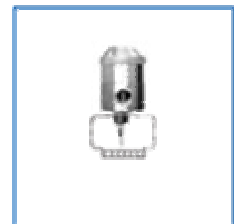
External Mix
Flat fan
Full cone
Internal Mix
Flat fan
Full cone
Wide-angle full cone



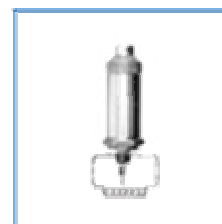
Regulating Device



Pneumatic Valve



Quick-cleaning device



Regulating device with quick-cleaning needle

