

D-04 Series

Up to 2.85 gpm (10.8 l/min)

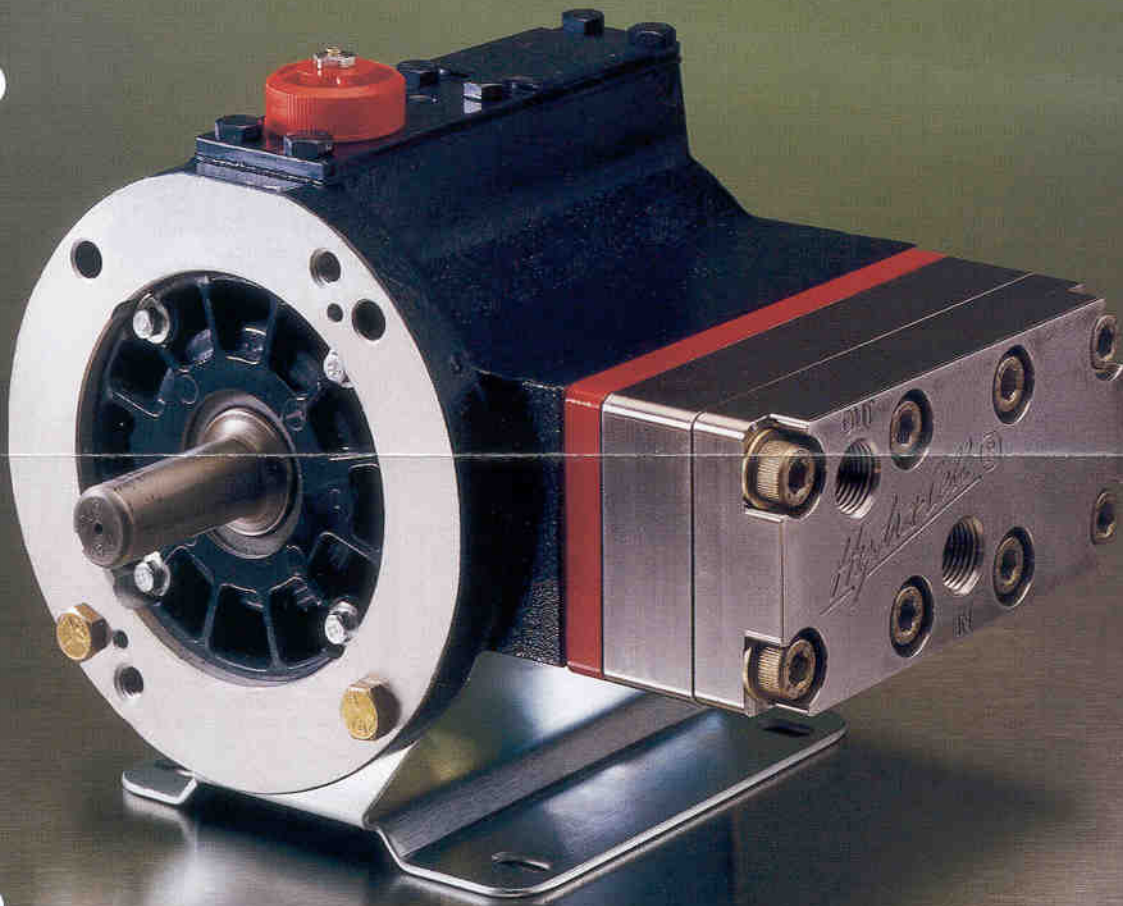
Hydra-Cell® D-04: The long-lasting industrial pump solution for high pressure applications

The dependable, proven technology of Hydra-Cell pumps is now available in a high-pressure design with operating pressures up to 2,500 psi (172 bar). The Hydra-Cell Model D-04 can be close-coupled to American standard and metric motors, or belt-driven to meet your unique needs. Industry-quality D-04 pumps tackle difficult to pump solutions with ease. Hydra-Cell technology eliminates troublesome cups, packing and seals — making this THE pump for clean fluids, non-lubricating fluids, abrasive solutions, caustics, corrosives, high temperature fluids and other problem applications at high operating pressures. If you want fewer problems, less maintenance and longer pump life, consider the Hydra-Cell pumps. Hydra-Cell pumps are the industrial pumps that are "simply built to last."

Maximum Capacity @ max Rated Pressure

| | rpm | gpm | l/min |
|--------|------|------|-------|
| D-04-X | 1750 | 2.85 | 10.8 |
| D-04-E | 1750 | 2.05 | 7.8 |
| D-04-S | 1750 | 1.65 | 6.2 |

| | |
|----------------------|---|
| Pressure Variable to | 2500 psi (172 bar) |
| Max Temperature | 250°F (121°C) (consult factory for temperatures above 180°F) |
| Inlet Port | 1/2 inch NPT (1/2 inch BSPT) female |
| Discharge Port | 1/2 inch NPT (1/2 inch BSPT) female |
| Shaft Diameter | 7/8 inch (22.22 mm) |
| Shaft Rotation | Reversible |
| Bearings | Ball bearings |
| Reservoir Capacity | 1.1 U.S. quart (4.2 liters) |
| Weight | 37 lbs (16.8 kg) |



Applications

- Hot fluids
- Reclaim water
- Slurries
- Abrasives
- Wettable powders
- Fertilizers
- Chemicals
- Adhesives
- Soap solutions
- Salt water

Features

- Made in USA
- Heavy-duty industrial construction
- Quiet, smooth operation
- Hydraulically-balanced diaphragms
- Runs dry without damage
- Easy maintenance
- Positive displacement
- Simple to repair
- Self-priming
- No troublesome cups, packings or seals
- Choice of materials of construction

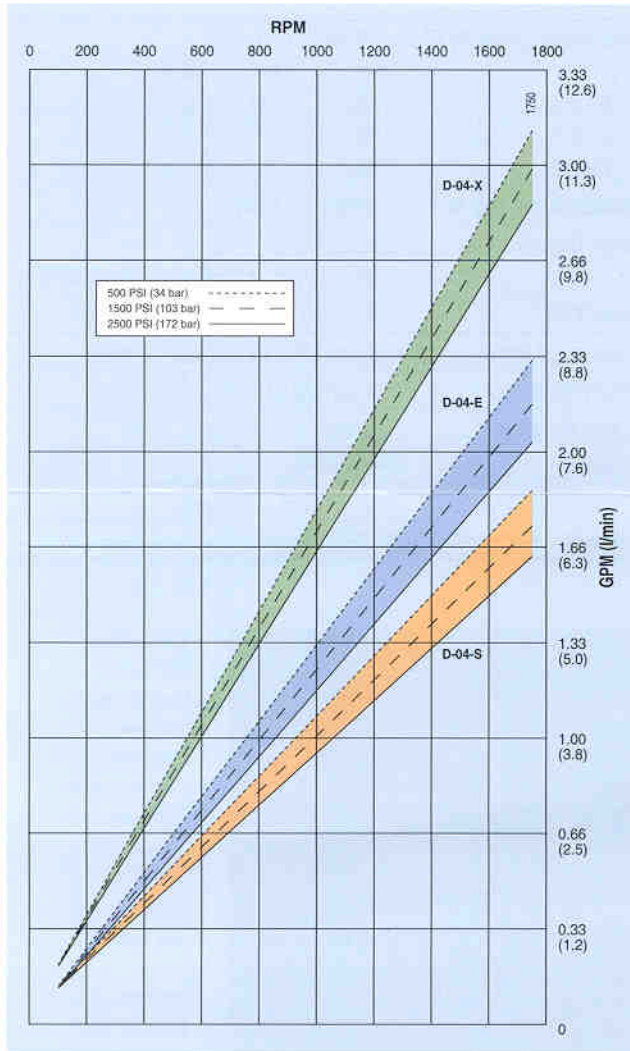


WANNER ENGINEERING, INC.

Hydra-Cell
SIMPLY BUILT TO LAST

D-04 Series Specifications

Hydra-Cell
SIMPLY BUILT TO LAST



Materials of Construction

All D-04 configurations of Hydra-Cell pumps are manufactured in a variety of heavy-duty materials to meet specific pumping needs. Other customized materials are available by special order.

Pumping Head

304 Stainless Steel
Brass

Valve Springs

316 Stainless Steel
Elgiloy®
Hastelloy® C

Valves

17-4 PH Stainless Steel
Carbide

Valve Seats

17-4 PH Stainless Steel
Carbide

Diaphragms

Buna-N-XS
Viton®-XT

Valve Spring Retainers

Celcon®
Kynar®
Polypropylene
Zytel®

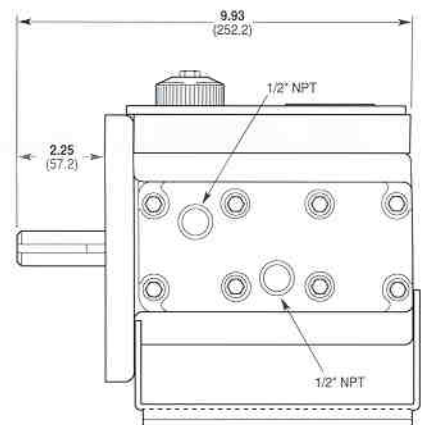
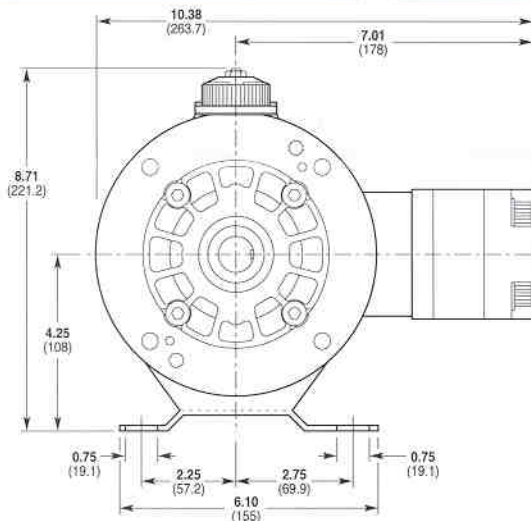
Calculating Required Horsepower

$$\frac{6 \times \text{rpm}}{63,000} + \frac{\text{gpm} \times \text{psi}}{1,460} = \text{electric motor HP}^{***}$$

*** Horsepower required is for electric motors only. Consult engine manufacturer for gasoline or diesel HP requirements.

Calculating Pulley Size

$$\frac{\text{motor pulley OD}}{\text{pump rpm}} = \frac{\text{pump pulley OD}}{\text{motor rpm}}$$



WANNER ENGINEERING, INC.

1204 Chestnut Avenue, Minneapolis, Minnesota 55403 USA

(612) 332-5681 • Fax (612) 332-6937 • Toll Free Fax: (USA only): (800) 332-6812



WANNER INTERNATIONAL, INC.

Grange Court, Grange Road, Tongham, Surrey, GU10 1DW, England • (0252) 781234 • Fax (0252) 781235