

# ACCUClean – The efficient way to clean your tank

**NEW!** Improved design for even better cleaning results.

## Series 515/ 519

The redesign of the successful ACCUClean concept combines now even more efficient cleaning technology in an economical package:

- Controlled rotation for maximum spray impact
- Optimized drive mechanism
- Special nozzle geometry for sharp sprays
- Excellent vertical coverage
- Smooth, self-draining and self-flushing design
- Long-life bearing
- Wide flow and pressure range

### Applications

- For use in all applications where a high cleaning performance is required
- We recommend the use of a line strainer 0.3/50 mesh

### Max. tank diameter:

Rinsing: 20 – 30 ft.  
Cleaning: 12 – 20 ft.  
depends on nozzle size

### Operating pressure:

20 – 75 psi, max. 140 psi

### Max. temperature:

250°F

### Weight:

3/4" 3.1 lbs.  
1" 10.5 lbs.

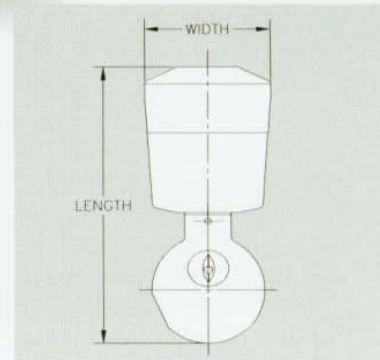
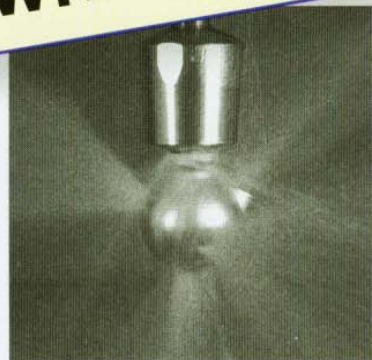
### Materials:

- Body: Stainless steel 316L
- Gear parts: PEEK

### Bearing:

Ball bearing made of 316L stainless steel

**Please ask for our application sheet.**



Spray Angle	Part Number	Inlet	Flow Rate gpm			Litres/min 2 bar	Length	Maximum Width
			20 psi	40 psi	60 psi			
180° up	<b>515.213.7T.BL</b>	3/4"	21	30	37	97	6.7" / 170mm	3.4" / 85mm
180° down	<b>515.214.7T.BL</b>	3/4"	21	30	37	97	6.7" / 170mm	3.4" / 85mm
270° up	<b>515.215.7T.BL</b>	3/4"	21	30	37	97	6.7" / 170mm	3.4" / 85mm
	<b>515.285.7T.BL</b>	3/4"	32	45	55	145	6.7" / 170mm	3.4" / 85mm
270° down	<b>515.216.7T.BL</b>	3/4"	21	30	37	97	6.7" / 170mm	3.4" / 85mm
	<b>515.286.7T.BL</b>	3/4"	32	45	55	145	6.7" / 170mm	3.4" / 85mm
360°	<b>515.219.7T.BL</b>	3/4"	21	30	37	97	6.7" / 170mm	3.4" / 85mm
	<b>515.289.7T.BL</b>	3/4"	32	45	55	145	6.7" / 170mm	3.4" / 85mm
	<b>515.339.7T.BL</b>	1"	42	60	73	193	6.7" / 170mm	3.4" / 85mm
180° up	<b>519.373.7T.BS</b>	1-1/2"	53	75	92	242	10.5" / 267mm	5.5" / 140mm
180° down	<b>519.374.7T.BS</b>	1-1/2"	53	75	92	242	10.5" / 267mm	5.5" / 140mm
270° up	<b>519.375.7T.BS</b>	1-1/2"	53	75	92	242	10.5" / 267mm	5.5" / 140mm
270° down	<b>519.376.7T.BS</b>	1-1/2"	53	75	92	242	10.5" / 267mm	5.5" / 140mm
360°	<b>519.379.7T.BS</b>	1-1/2"	53	75	92	242	10.5" / 267mm	5.5" / 140mm
	<b>519.429.7T.BS</b>	1-1/2"	71	100	122	322	10.5" / 267mm	5.5" / 140mm
	<b>519.469.7T.BS</b>	1-1/2"	92	130	159	419	10.5" / 267mm	5.5" / 140mm